

DYNAGATE®

▪ **Reliable** ▪ **Durable** ▪ **Economical**



1. Turn knob to unlock cover
2. Slide cover to open
3. Turn key wrench anti-clockwise to release

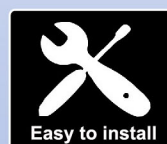
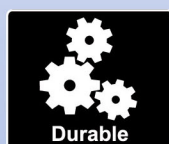
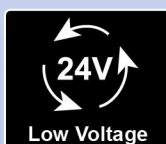
Manufactured under Europe standard

DYNA PW330

POWER SAVING KEY RELEASE DC GATE OPENERS FOR SWING AND FOLDING GATES

(Up to 4 meter per wing)

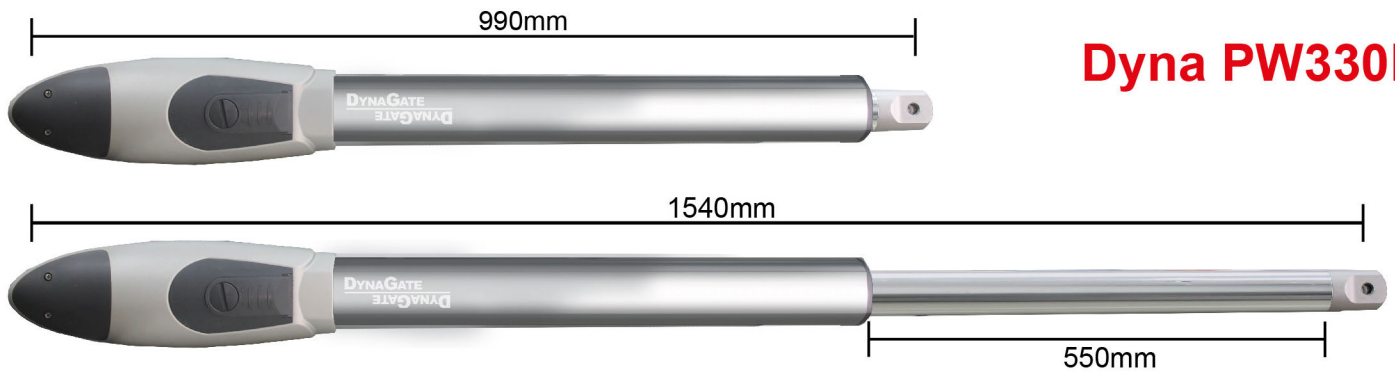
DYNA PW330 Electro-Mechanical Swing and Folding Gate Openers with back-up battery are specially designed for residential and commercial applications. Its advance electronic control board provides electronic anti-crushing feature, dual speed with soft cushion stopping, auto-reversal and instant stop when contact with obstacles.



Dyna PW330



Dyna PW330L



| | Dyna PW330 | Dyna PW330L |
|---|---|-------------------------------|
| Motor self-locking system | Key Release type | Key Release type |
| Motor | 24V DC | 24V DC |
| Driving method | Screw driven piston | Screw driven piston |
| Operating voltage | 24V DC ~ 12V DC | 24V DC ~ 12V DC |
| Max. thrust | 3500N | 3500N |
| Max. piston stroke | 360mm | 540mm |
| Max. piston speed | 25mm/sec | 25mm/sec |
| Duty cycle | 20% | 20% |
| Maximum gate weight | 350kg per wing | 500kg per wing |
| Maximum gate length | 4 Meters per wing | 5 Meters per wing |
| Opening/Closing time | <20 sec | <30 sec |
| Gear box | Nylon Worm Gear Set | Copper Worm Gear Set |
| Safety clutch | By Electronic Current Sensing | By Electronic Current Sensing |
| Operating temperature | -20°C ~ +50°C | -20°C ~ +50°C |
| Safety barrier | Infrared sensor (optional) | Infrared sensor (optional) |
| Weight | 6.25kg | 7.5kg |
| External dimension | 850mm * 115mm * 106mm | 1040mm * 115mm * 106mm |
| Protection Grad(IP)/Protection class | IP 44 | IP 44 |
| Absorbed Current | 5.5 A | 5.5 A |
| Absorbed Power | 144W | 144W |
| Specifications for control panel | | |
| Main operating voltage | 240V AC 50HZ | |
| Transformer output | 12~24-12-0-12-24V AC | |
| Electronic controller | Microcomputer based with overload cut and timer feature | |
| Back-up battery | 12V 7.0 AH | |
| Lock output | 12V DC solenoid lockset (optional) | |
| Door opening option | 1 side or 2 sides | |
| Half-way stop | Yes | |
| Radio receiver | | |
| Remote controller | 2-channel, UHF digital PWM type | |