

DAC-100

Scalable Networked Access Controller

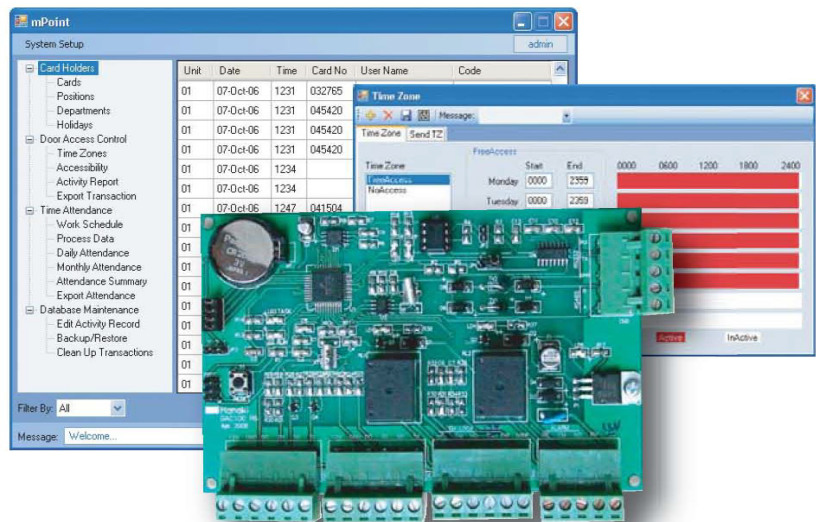
The state-of-the-art DAC-100 single-door access controller allows for the application of networked medium scale security systems thru RS485 connection handling up to 1,000 users. Driven by powerful, flexible and easy to use software, the system provides an ideal solution for both commercial and institutional needs. The controller also enable seamless integration with RFID Proximity, PIN, Prox&PIN and Smartcard readers.

General Description

DAC-100 is suitable for applications with up to 64 doors, allowing maximum flexibility to secure for a growing enterprise.

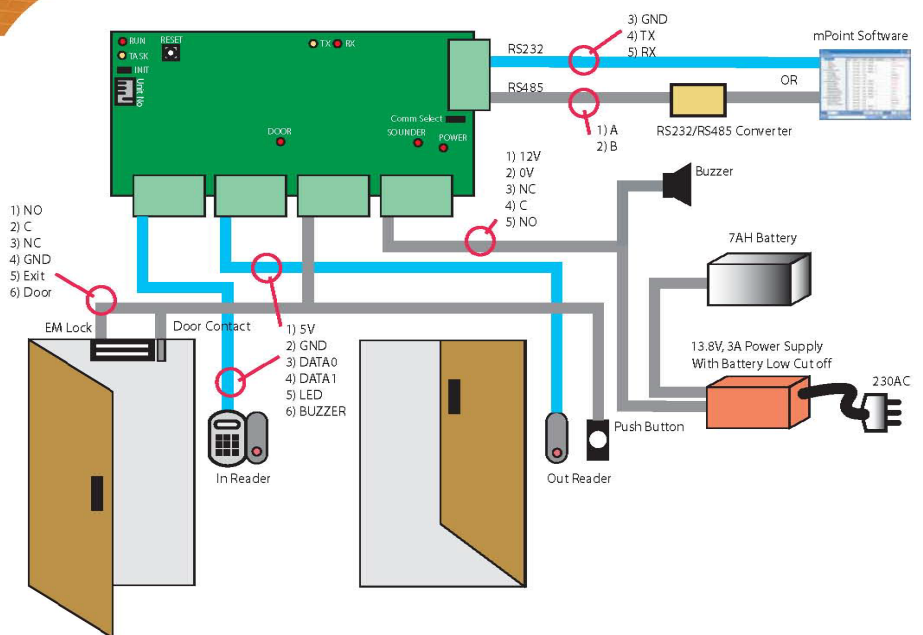
Each DAC-100 Access Control Unit supports two standard Wiegand 26-Bit readers (In/Out). Installations allow for one reader per door.

Ready made for deployment, it comes in a mountable metal enclosure integrated with switching power supply/charger and the controller board. Using either RS-232 or RS-485, it can be connected to the 'mPoint' software running on Microsoft® Windows® XP or Vista operating systems and Microsoft® SQL 2005 Express Edition Database.



Main Features

- > 1000 Users
- > 1000 Transaction
- > 40 Timer with 2 Interval
- > 30 Time Zone
- > 50 Pin Code Entry
- > Card Format: 26 bit Wiegand
- > 4 digit Facility Code Support
- > Antipass Back
- > Skip Antipass Back on selected card
- > Operation Mode - Prox / Prox+Pin
- > Database Mode - Ignore / Check
- > Pin Disable Time Zone
- > Door Unlock Time Zone
- > Door Left Open Alarm
- > Communication RS232/RS485
- > Network upto 16 units per bus
- > Free Firm ware Upgrade Software
- > Free mPoint Management Software
 - control upto 16 doors with Time Attendance
- > Communication Data Rate 9600/19200bs
- > Size: 140mm x 90mm x 23mm
- > Operating Voltage: 12V
- > Input Current: 700mA



System Components

DAC-100 is compatible with a range of accessories, including a diverse selection of readers.



Truly Simple